

# Casement/Awning Window Parts Reference Catalog

(Includes Miscellaneous Parts for Eyebrow Casement  
and Garden Bay Windows)

#1028654 (Revised 03/02)

# VISIONS 2000®

*Vinyl Windows & Doors*



**Weather Shield Mfg., Inc.**

Medford, WI 54451 • 715/748-2100



**VISIONS 2000®**

*Vinyl Windows & Doors*

## **Casement/Awning Window**

### Table of Contents

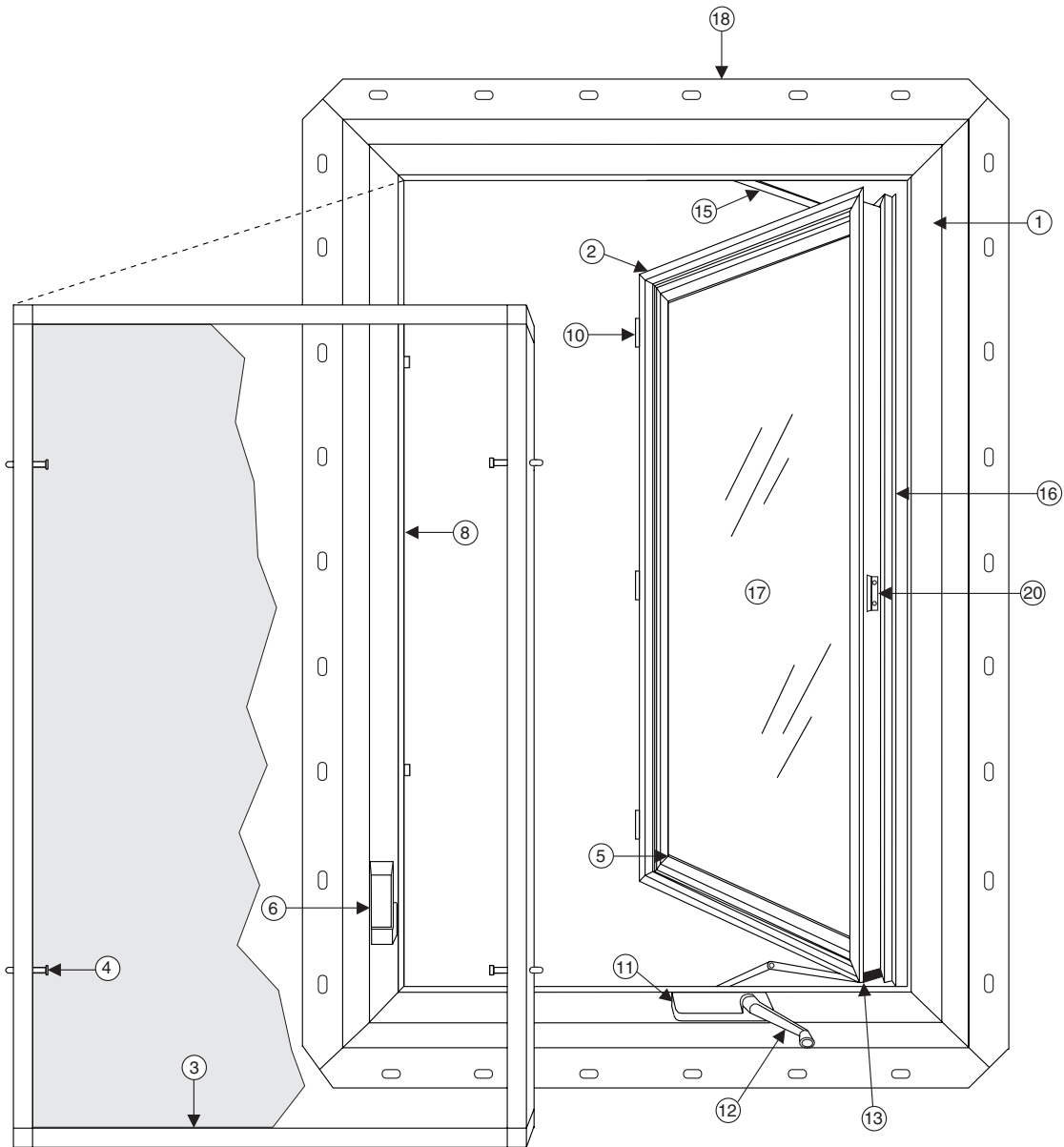
---

Casement/Awning Window Parts Reference Catalog Guide .....	Page 1
Casement/Awning Window Exploded Views .....	Page 2
Casement/Awning Window Horizontal/Vertical Mull Cross Sections .....	Page 4
Casement Window Vertical Mull Cross Sections .....	Page 5
Garden Bay Window Vertical Cross Sections .....	Page 7
Garden Bay Window Horizontal Cross Sections .....	Page 8
Casement/Awning Measurement Conversion Table .....	Page 9
Casement/Awning Window How To Measure To Order Replacement Parts .....	Page 10
Casement Window Opening Specifications .....	Page 11
Awning Window Opening Specifications .....	Page 13
Garden Bay Window Opening Specifications .....	Page 14
Casement/Awning Window Glass Replacement Order Form .....	Page 15
Casement/Awning Window Sash Replacement Order Form .....	Page 16
Casement/Awning Window Sash, Glass, and Glazing Bead .....	Page 17
Casement/Awning Window Glazing Options .....	Page 18
Casement/Awning Window Screen Parts .....	Page 19
Casement/Awning Window Horizontal/Vertical Replacement Parts .....	Page 20
Garden Bay Window Horizontal Replacement Parts .....	Page 22
Garden Bay Window Vertical Replacement Parts .....	Page 23
Casement/Awning Window Miscellaneous Replacement Parts .....	Page 24
Casement/Awning Window Accessories .....	Page 29





**Drawing Not To Scale**

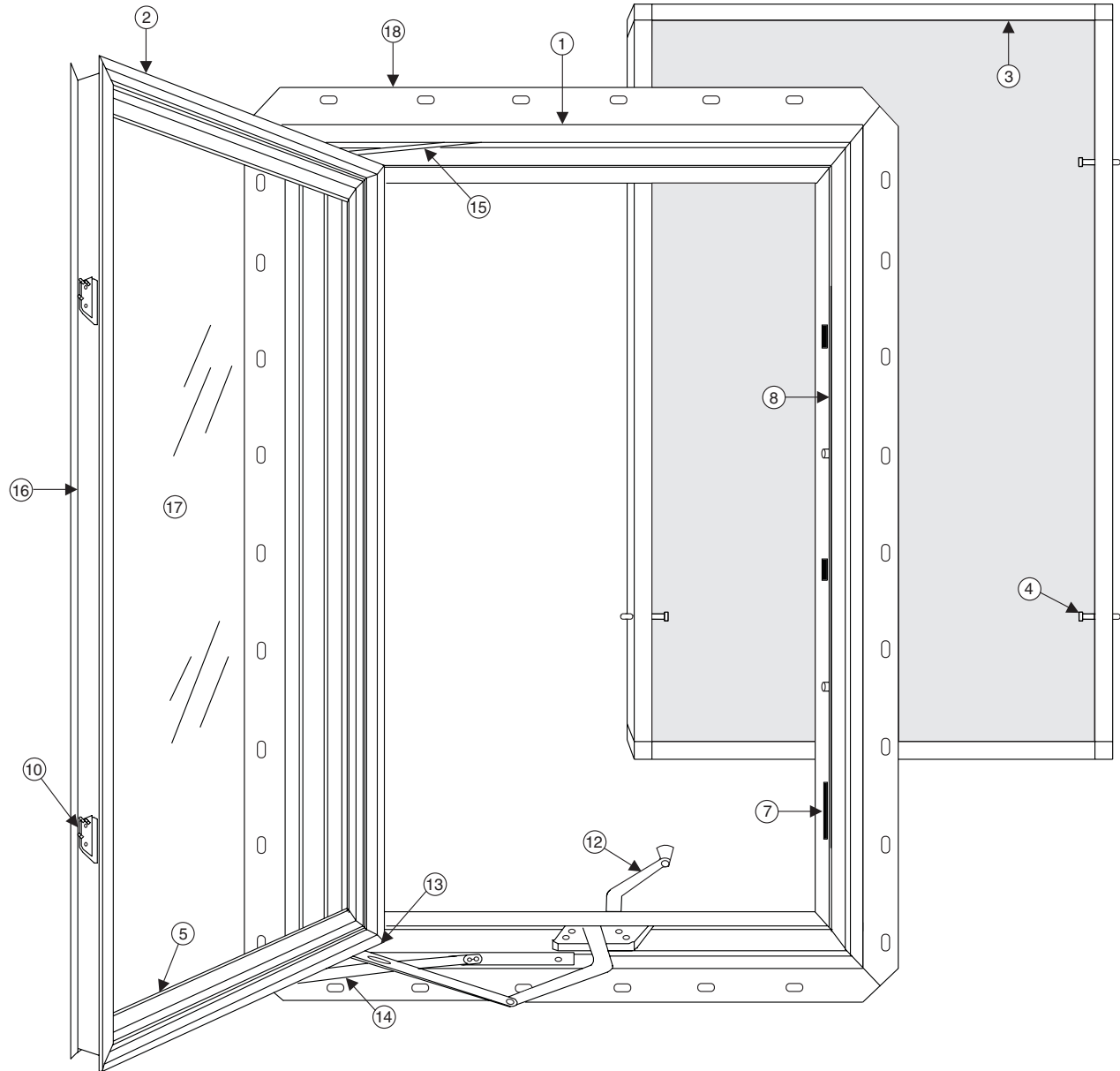


- |                             |         |                               |         |
|-----------------------------|---------|-------------------------------|---------|
| 1) Main Frame               |         | 11) Operator                  | Page 24 |
| 2) Sash                     | Page 17 | 12) Crank Handle              | Page 27 |
| 3) Screen                   | Page 19 | 13) Sash Bracket              | Page 24 |
| 4) Screen Plunger           | Page 19 | 15) Top Hinge                 | Page 24 |
| 5) Sash Glazing Bead        | Page 17 | 16) Pile Weather Strip (Sash) | Page 28 |
| 6) Multi-Point Sash Lock    | Page 26 | 17) Glass                     | Page 17 |
| 8) Multi-Point Lock Tie Bar | Page 25 | 18) Vinyl Nailing Fin         |         |
| 10) Multi-Point Lock Keeper | Page 26 | 20) Sash Snubber              | Page 28 |

**NOTE: This unit is shown hinged left.**



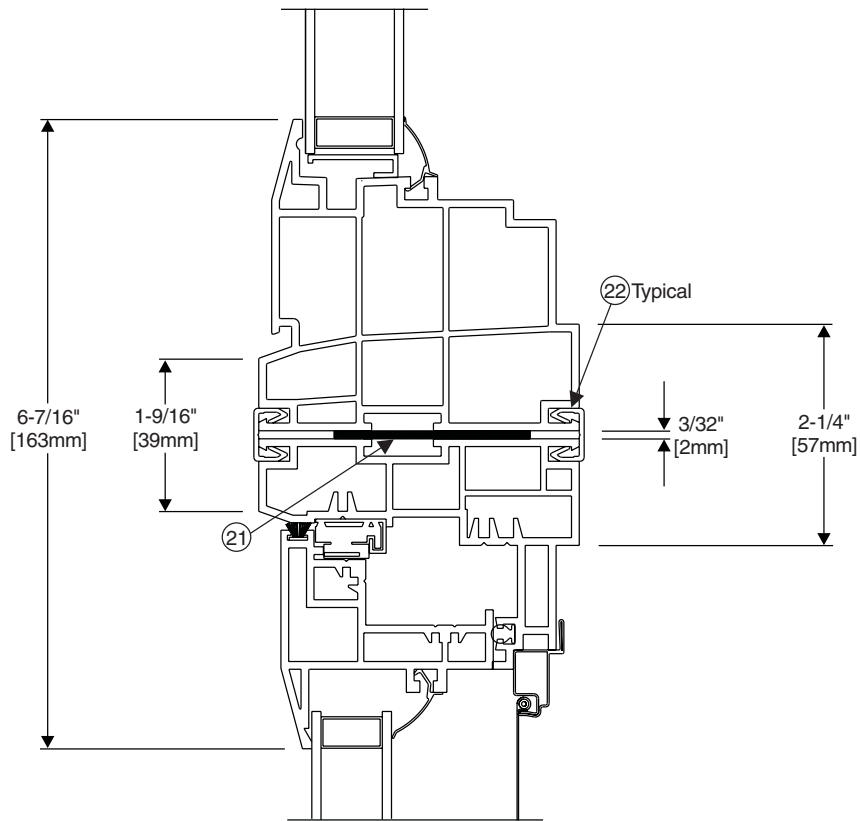
**Drawing Not To Scale**



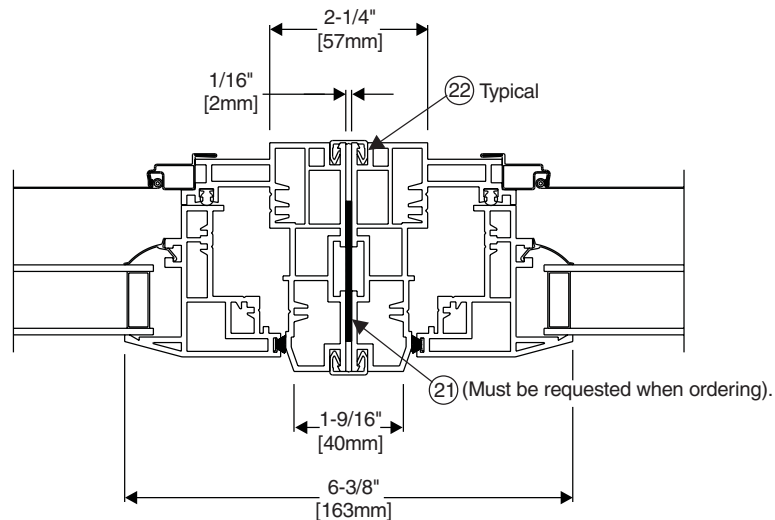
- |                             |         |                               |         |
|-----------------------------|---------|-------------------------------|---------|
| 1) Main Frame               |         | 12) Crank Handle              | Page 27 |
| 2) Sash                     | Page 17 | 13) Sash Bracket              | Page 24 |
| 3) Screen                   | Page 19 | 14) Bottom Hinge              | Page 24 |
| 4) Screen Plunger           | Page 19 | 15) Top Hinge                 | Page 24 |
| 5) Sash Glazing Bead        | Page 17 | 16) Pile Weather Strip (Sash) | Page 28 |
| 6) Multi-Point Sash Lock    | Page 26 | 17) Glass                     | Page 17 |
| 8) Multi-Point Lock Tie Bar | Page 25 | 18) Vinyl Nailing Fin         |         |
| 10) Multi-Point Lock Keeper | Page 26 | 20) Sash Snubber              | Page 28 |
| 11) Operator                | Page 24 |                               |         |



**Drawings Not To Scale**



**Tight Horizontal Mull**



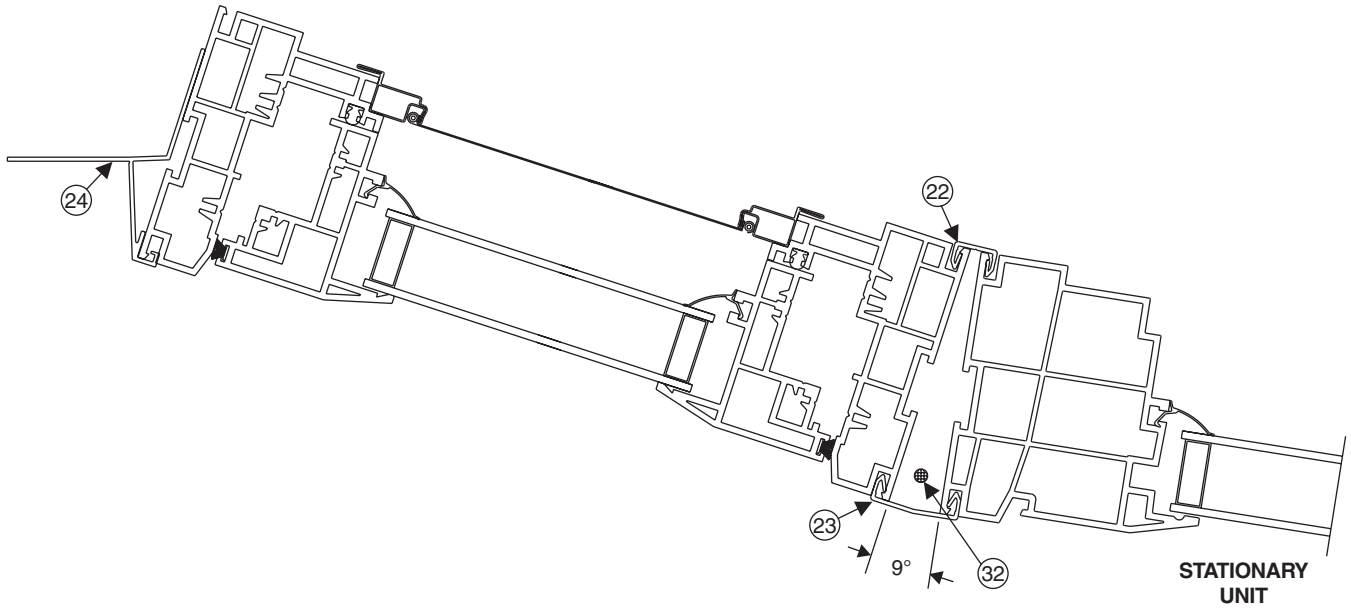
**Tight Vertical Mull**

21) Mull Reinforcement Bar  
22) Small Mull Cover

Page 20  
Page 21



**Drawing Not To Scale**

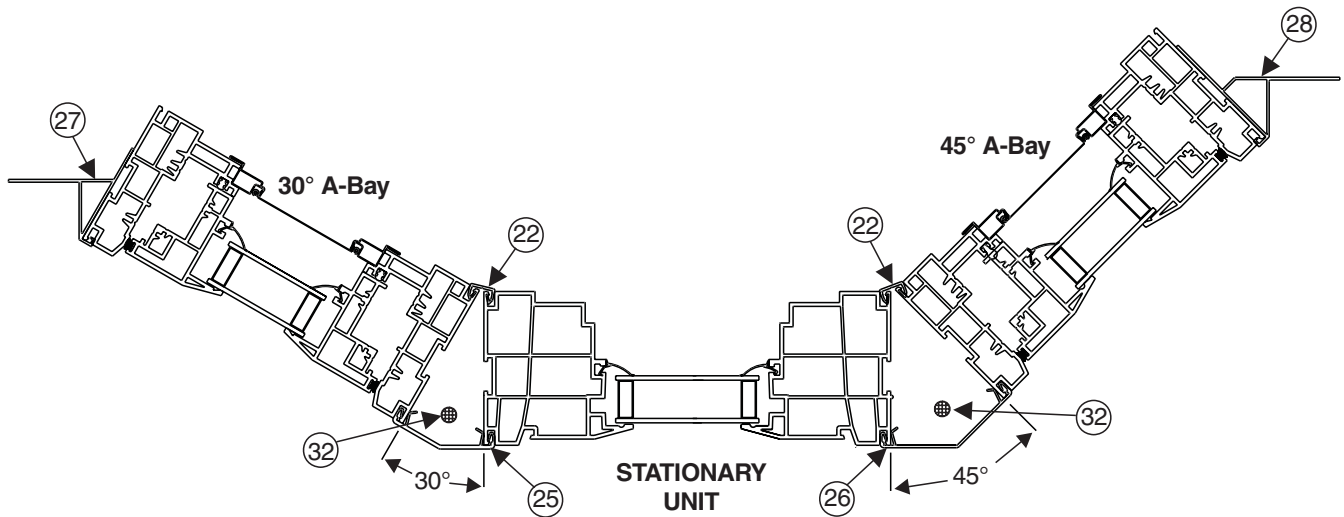


Bow Cross Section

- |                       |         |
|-----------------------|---------|
| 22) Small Mull Cover  | Page 21 |
| 23) 9° Bow Mull Cover | Page 31 |
| 24) Bow Side Adapter  | Page 34 |
| 32) Cable Support     | Page 35 |



**Drawing Not To Scale**



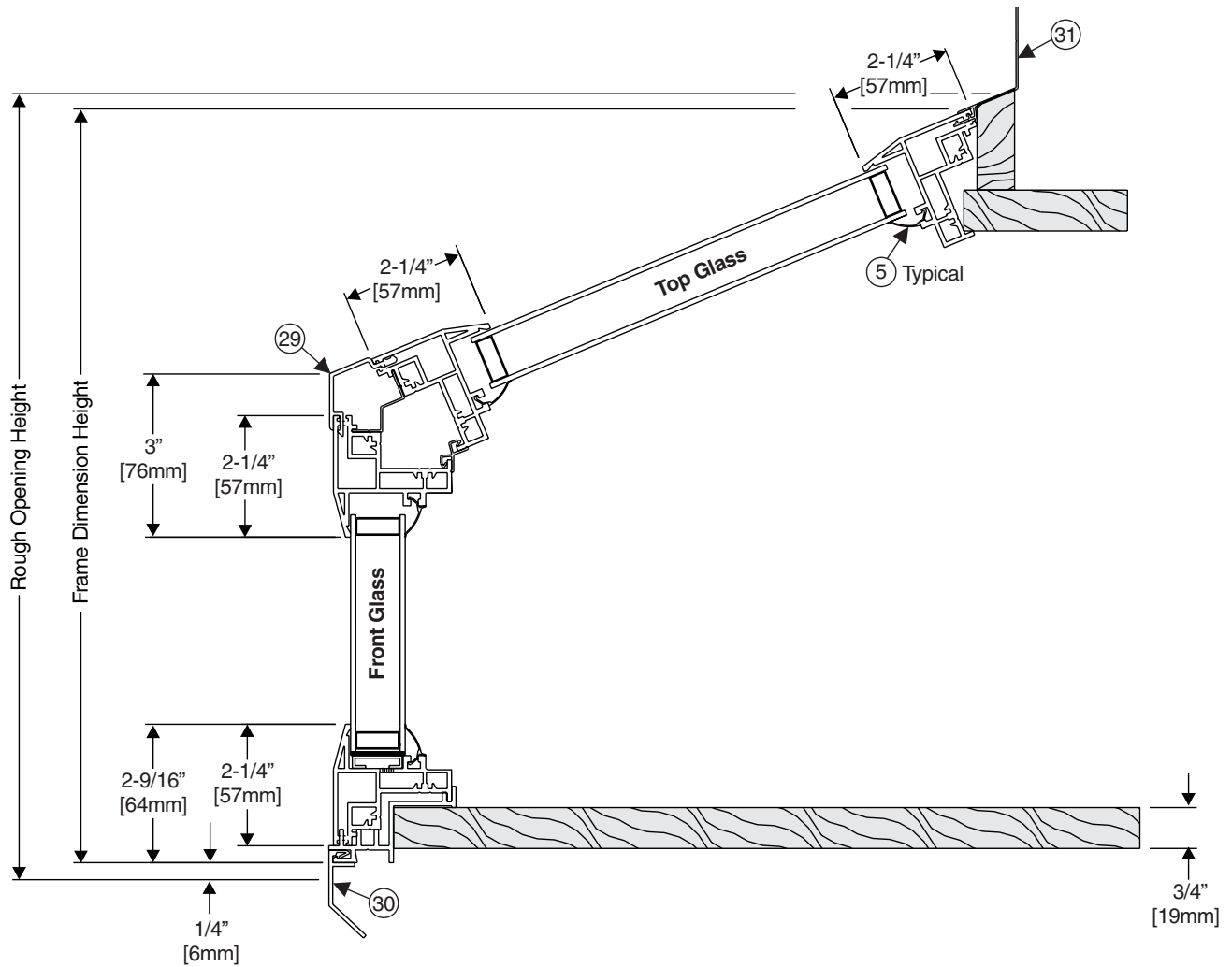
30° & 45° A-Bay Cross Section

22) Small Mull Cover	Page 21
25) 30° Exterior Mull Cover	Page 32
26) 45° Exterior Mull Cover	Page 32
27) 30° Side Adapter	Page 34
28) 45° Side Adapter	Page 35
32) Cable Support	Page 35





**Drawing Not To Scale**

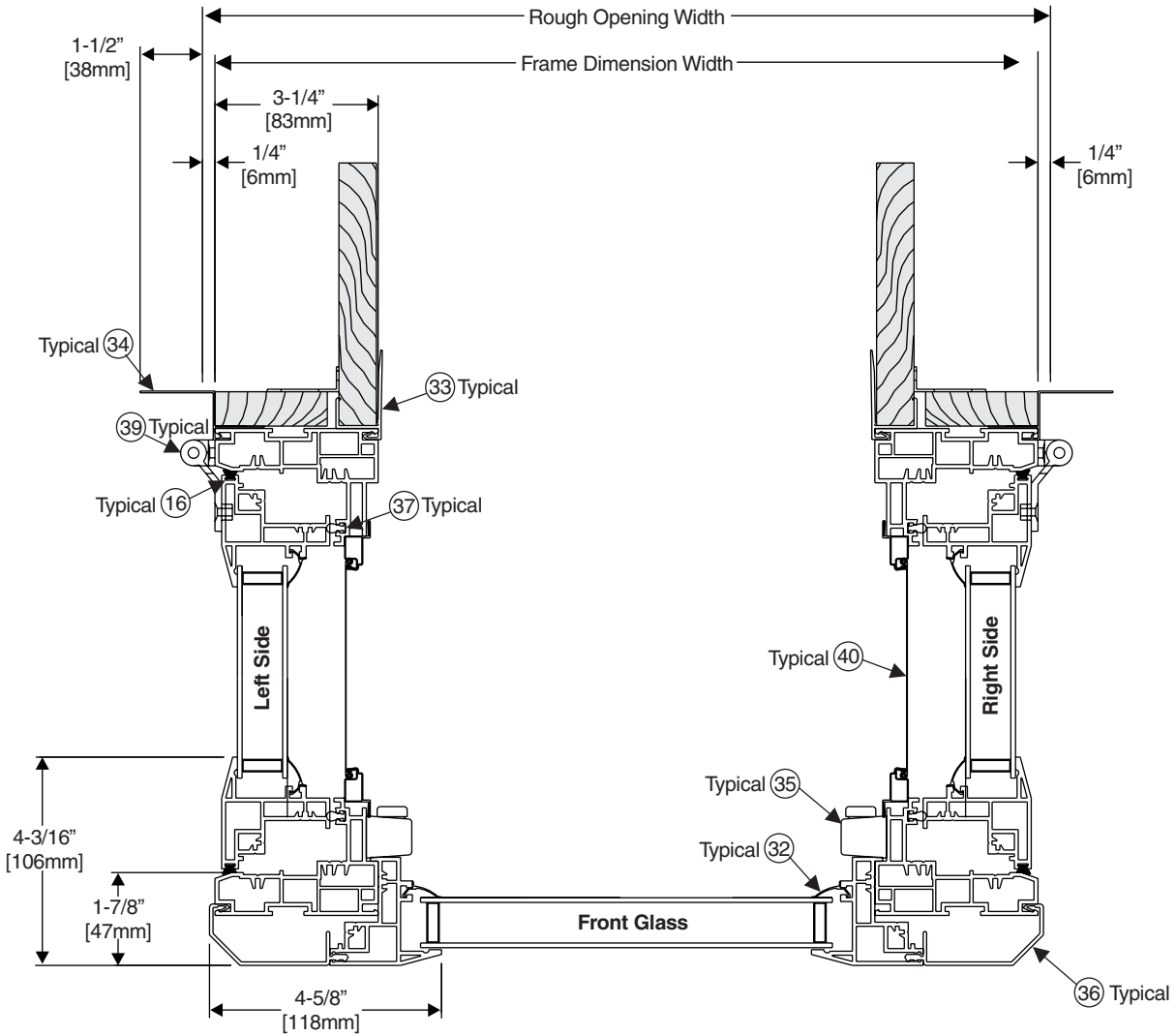


Garden Bay Cross Section

- |                     |         |
|---------------------|---------|
| 5) Glazing Bead     | Page 17 |
| 29) Vinyl Ridge Cap | Page 22 |
| 30) Bottom Drip Cap | Page 22 |
| 31) Top Flashing    | Page 22 |



**Drawing Not To Scale**



Garden Bay Cross Section

- |                               |         |
|-------------------------------|---------|
| 3) Screen                     | Page 19 |
| 5) Glazing Bead               | Page 17 |
| 6) Multi-Point Sash Lock      | Page 26 |
| 16) Pile Weather Strip (Sash) | Page 28 |
| 33) Drywall Return            | Page 23 |
| 34) Nailing Fin               | Page 23 |
| 36) Jamb Cover                | Page 23 |
| 37) Qlon Weather Strip        | Page 24 |
| 39) Hinge                     | Page 27 |



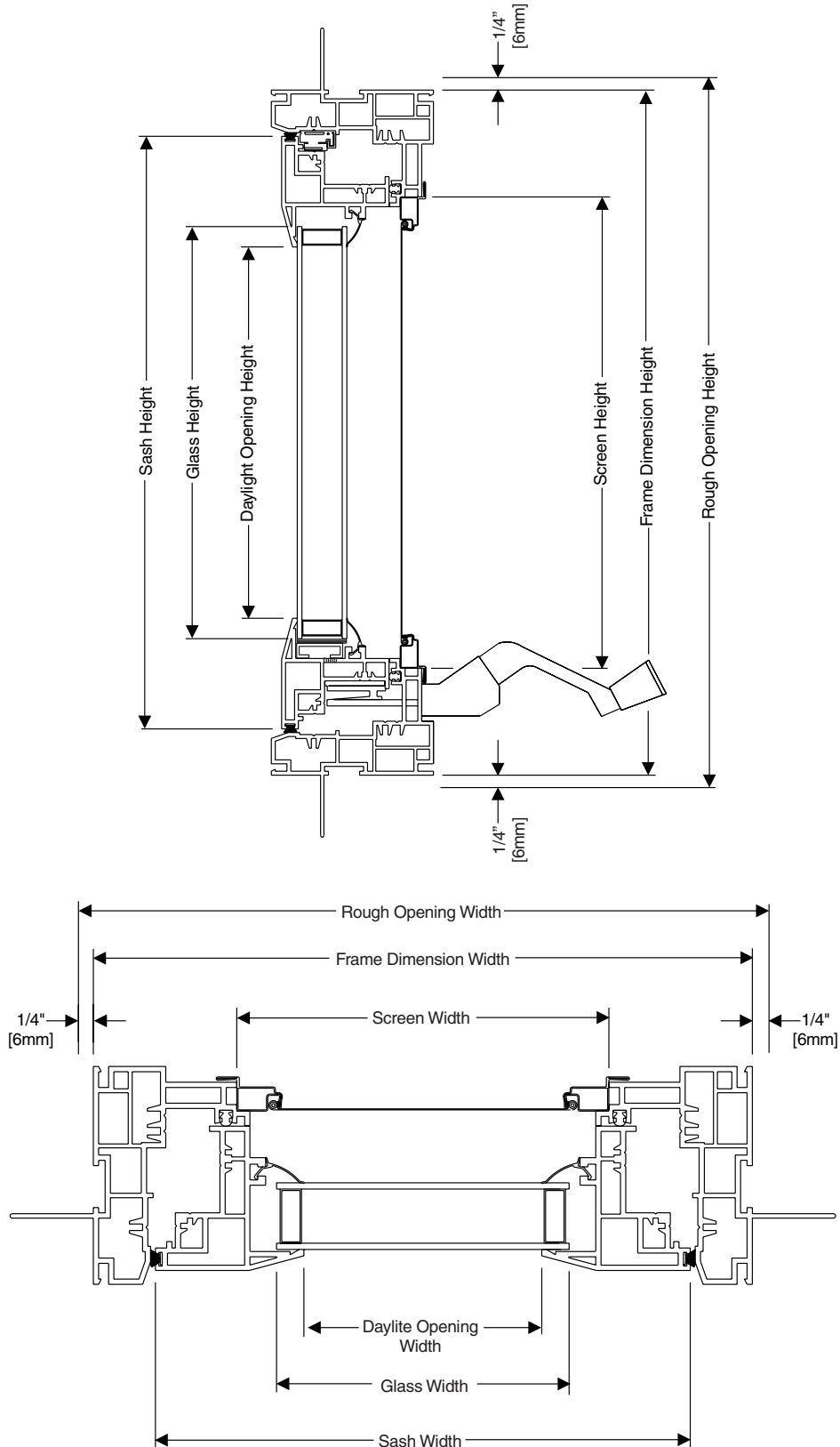
## Casement/Awning Window Measurement Conversion Table

If you know Frame Size and want to determine:		Add or Subtract from Frame Size:	<b>Width</b>	<b>Height</b>
	Sash Size		- 1-7/8" [48mm]	- 1-7/8" [48mm]
	Glass Size		- 5-3/8" [137mm]	- 5-3/8" [137mm]
	Rough Opening		+ 1/2" [13mm]	+ 1/2" [13mm]
	Daylight Opening		- 6-11/32" [161mm]	- 6-11/32" [161mm]
	*Screen Size		- 4-3/8" [111mm]	- 4-3/8" [111mm]
If you know Sash Size and want to determine:		Add or Subtract from Sash Size:	<b>Width</b>	<b>Height</b>
	Frame Size		+ 1-7/8" [48mm]	+ 1-7/8" [48mm]
	Glass Size		- 3-1/2" [89mm]	- 3-1/2" [89mm]
	Rough Opening		+ 2-3/8" [60mm]	+ 2-3/8" [60mm]
	Daylight Opening		- 4-15/32" [114mm]	- 4-15/32" [114mm]
	*Screen Size		- 2-1/2" [64mm]	- 2-1/2" [64mm]
If you know Glass Size and want to determine:		Add or Subtract from Glass Size:	<b>Width</b>	<b>Height</b>
	Frame Size		+ 5-3/8" [137mm]	+ 5-3/8" [137mm]
	Sash Size		+ 3-1/2" [89mm]	+ 3-1/2" [89mm]
	Rough Opening		+ 5-7/8" [149mm]	+ 5-7/8" [149mm]
	Daylight Opening		- 31/32" [25mm]	- 31/32" [25mm]
	*Screen Size		+ 1" [25mm]	+ 1" [25mm]
If you know Rough Opening and want to determine:		Add or Subtract from Rough Opening:	<b>Width</b>	<b>Height</b>
	Frame Size		- 1/2" [13mm]	- 1/2" [13mm]
	Sash Size		- 2-3/8" [60mm]	- 2-3/8" [60mm]
	Glass Size		- 5-7/8" [149mm]	- 5-7/8" [149mm]
	Daylight Opening		- 6-27/32" [174mm]	- 6-27/32" [174mm]
	*Screen Size		- 4-7/8" [124mm]	- 4-7/8" [124mm]
If you know Daylight Opening and want to determine:		Add or Subtract from Daylight Opening:	<b>Width</b>	<b>Height</b>
	Frame Size		- 6-11/32" [161mm]	- 6-11/32" [161mm]
	Sash Size		+ 4-15/32" [114mm]	+ 4-15/32" [114mm]
	Glass Size		+ 31/32" [25mm]	+ 31/32" [25mm]
	Rough Opening		+ 6-27/32" [174mm]	+ 6-27/32" [174mm]
	*Screen Size		+ 1-31/32" [50mm]	+ 1-31/32" [50mm]

\* **NOTE: Screen Dimensions do not include Flange Portion of Channel.**



**Drawings Not To Scale**





Unit Rough Opening	Sq. Ft. [cm <sup>2</sup> ] Clear Opening	Sq. Ft. [cm <sup>2</sup> ] Clear Opening w/Egress Hinges	Clear Opening			Sq. Ft. [cm <sup>2</sup> ] Daylight Opening	Sq. Ft. [cm <sup>2</sup> ] Vent	Floor to Bottom of Clear Opening Height <sup>b</sup> Inches [mm]	Sq. Ft. [cm <sup>2</sup> ] Overall Unit Area
			Width Inches [mm]	Width w/Egress Hinges Inches [mm]	Height Inches [mm]				
18 x 24	1.07" [994mm]		8-3/16" [208mm]		18-13/16" [478mm]	1.33" [1236mm]	1.39" [1291mm]	58-5/8" [1489mm]	2.86" [2657mm]
18 x 30	1.41" [1310mm]		8-3/16" [208mm]		24-13/16" [630mm]	1.79" [1663mm]	1.83" [1700mm]	52-5/8" [1337mm]	3.59" [3335mm]
18 x 36	1.75" [1626mm]		8-3/16" [208mm]		30-13/16" [783mm]	2.26" [2100mm]	2.27" [2109mm]	46-5/8" [1184mm]	4.31" [4004mm]
18 x 42	2.10" [1951mm]		8-3/16" [208mm]		36-13/16" [935mm]	2.72" [2527mm]	2.72" [2527mm]	40-5/8" [1032mm]	5.04" [4682mm]
18 x 48	2.44" [2267mm]		8-3/16" [208mm]		42-13/16" [1087mm]	3.19" [2964mm]	3.16" [2936mm]	34-5/8" [879mm]	5.77" [5361mm]
18 x 54	2.78" [2583mm]		8-3/16" [208mm]		48-13/16" [1240mm]	3.65" [3391mm]	3.60" [3345mm]	28-5/8" [727mm]	6.50" [6039mm]
18 x 60	3.12" [2899mm]		8-3/16" [208mm]		54-13/16" [1392mm]	4.11" [3818mm]	4.05" [3763mm]	22-5/8" [575mm]	7.23" [6717mm]
18 x 66	3.46" [3214mm]		8-3/16" [208mm]		60-13/16" [1545mm]	4.58" [4255mm]	4.49" [4171mm]	16-5/8" [422mm]	7.96" [7395mm]
18 x 72	3.80" [3530mm]		8-3/16" [208mm]		66-13/16" [1697mm]	5.04" [4682mm]	4.93" [4580mm]	10-5/8" [270mm]	8.69" [8073mm]
24 x 24	1.85" [1719mm]		14-3/16" [360mm]		18-13/16" [478mm]	2.04" [1895mm]	2.17" [2016mm]	58-5/8" [1489mm]	3.84" [3567mm]
24 x 30	2.45" [2276mm]		14-3/16" [360mm]		24-13/16" [630mm]	2.76" [2564mm]	2.86" [2657mm]	52-5/8" [1337mm]	4.81" [4469mm]
24 x 36	3.04" [2824mm]		14-3/16" [360mm]		30-13/16" [783mm]	3.47" [3224mm]	3.56" [3307mm]	46-5/8" [1184mm]	5.79" [5379mm]
24 x 42	3.63" [3372mm]		14-3/16" [360mm]		36-13/16" [935mm]	4.19" [3893mm]	4.25" [3948mm]	40-5/8" [1032mm]	6.77" [6290mm]
24 x 48	4.22" [3921mm]		14-3/16" [360mm]		42-13/16" [1087mm]	4.90" [4552mm]	4.94" [4589mm]	34-5/8" [879mm]	7.75" [7200mm]
24 x 54	4.81" [4469mm]		14-3/16" [360mm]		48-13/16" [1240mm]	5.61" [5212mm]	5.64" [5240mm]	28-5/8" [727mm]	8.73" [8110mm]
24 x 60	5.40" [5017mm]		14-3/16" [360mm]		54-13/16" [1392mm]	6.33" [5881mm]	6.33" [5881mm]	22-5/8" [575mm]	9.71" [9021mm]
24 x 66	6.00" [5574mm]		14-3/16" [360mm]		60-13/16" [1545mm]	7.04" [6540mm]	7.02" [6522mm]	16-5/8" [422mm]	10.69" [9931mm]
24 x 72	6.59" [6122mm]		14-3/16" [360mm]		66-13/16" [1697mm]	7.76" [7209mm]	7.72" [7172mm]	10-5/8" [270mm]	11.67" [10842mm]
30 x 24	2.64" [2453mm]		20-3/16" [513mm]		18-13/16" [478mm]	2.76" [2564mm]	2.96" [2750mm]	58-5/8" [1489mm]	4.81" [4469mm]
30 x 30	3.48" [3233mm]		20-3/16" [513mm]		24-13/16" [630mm]	3.72" [3456mm]	3.90" [3623mm]	52-5/8" [1337mm]	6.04" [5611mm]
30 x 36	4.32" [4013mm]		20-3/16" [513mm]		30-13/16" [783mm]	4.69" [4357mm]	4.84" [4497mm]	46-5/8" [1184mm]	7.27" [6754mm]
30 x 42 <sup>c</sup>	5.16" [4794mm]	5.75" [5342mm]	20-3/16" [513mm]	22-1/2" [572mm]	36-13/16" [935mm]	5.65" [5249mm]	5.78" [5370mm]	40-5/8" [1032mm]	8.50" [7897mm]
30 x 48 <sup>a</sup>	6.00" [5574mm]	6.69" [6215mm]	20-3/16" [513mm]	22-1/2" [572mm]	42-13/16" [1087mm]	6.61" [6141mm]	6.73" [6252mm]	34-5/8" [879mm]	9.73" [9039mm]
30 x 54 <sup>a</sup>	6.85" [6364mm]	7.63" [7089mm]	20-3/16" [513mm]	22-1/2" [572mm]	48-13/16" [1240mm]	7.58" [7042mm]	7.67" [7126mm]	28-5/8" [727mm]	10.96" [10182mm]
30 x 60 <sup>a</sup>	7.69" [7144mm]	8.56" [7953mm]	20-3/16" [513mm]	22-1/2" [572mm]	54-13/16" [1392mm]	8.54" [7934mm]	8.61" [7999mm]	22-5/8" [575mm]	12.19" [11325mm]
30 x 66 <sup>a</sup>	8.53" [7925mm]	9.50" [8826mm]	20-3/16" [513mm]	22-1/2" [572mm]	60-13/16" [1545mm]	9.51" [8835mm]	9.56" [8882mm]	16-5/8" [422mm]	13.42" [12468mm]
30 x 72 <sup>a</sup>	9.37" [8705mm]	10.44" [9699mm]	20-3/16" [513mm]	22-1/2" [572mm]	66-13/16" [1697mm]	10.47" [9727mm]	10.50" [9755mm]	10-5/8" [270mm]	14.65" [13610mm]
36 x 24 <sup>d</sup>	1.11" [1031mm]		8-1/2" [216mm]		18-13/16" [478mm]	3.47" [3224mm]	1.11" [1031mm]	58-5/8" [1489mm]	5.79" [5379mm]
36 x 30 <sup>d</sup>	1.46" [1356mm]		8-1/2" [216mm]		24-13/16" [630mm]	4.69" [4357mm]	1.46" [1356mm]	52-5/8" [1337mm]	7.27" [6754mm]
36 x 36 <sup>d</sup>	1.82" [1691mm]		8-1/2" [216mm]		30-13/16" [783mm]	5.90" [5481mm]	1.82" [1691mm]	46-5/8" [1184mm]	8.75" [8129mm]
36 x 42 <sup>d</sup>	2.17" [2016mm]		8-1/2" [216mm]		36-13/16" [935mm]	7.11" [6605mm]	2.17" [2016mm]	40-5/8" [1032mm]	10.23" [9504mm]
36 x 48 <sup>d</sup>	2.53" [2350mm]		8-1/2" [216mm]		42-13/16" [1087mm]	8.33" [7739mm]	2.53" [2350mm]	34-5/8" [879mm]	11.71" [10879mm]

- a These sizes meet or exceed egress opening requirements per 1999 BOCA (Building Officials And Code Administrators) National Building Code and 1994 UBC (Uniform Building Code) minimum dimensions of 20" [508mm] clear opening width, 24" [610mm] clear opening height, 5.7 sq. ft. [5295 cm<sup>2</sup>] clear opening and floor to bottom of clear opening not to exceed 44" [1118mm] in height. Verify local or state egress opening sizes with your local building inspector.
- b Floor to bottom of clear opening dimensions are based on 79-3/4" [2026mm] frame height of Visions 2000 hinged and sliding patio doors.
- c These sizes, with egress hinges, meet or exceed egress opening requirements per 1999 BOCA National Building Code and 1994 UBC minimum dimensions of 20" clear opening width, 24" clear opening height, 5.7 sq. ft. clear opening and floor to bottom of clear opening not to exceed 44" height. Verify local or state egress opening sizes with your local building inspector.
- d Due to the large size of these windows and hardware limitations, sash limit stops are required and furnished standard.



Two Wide Rough Opening	Three Wide Rough Opening	Four Wide Rough Opening
35 9/16 x 24	53 1/8 x 24	70 11/16 x 24
35 9/16 x 30	53 1/8 x 30	70 11/16 x 30
35 9/16 x 36	53 1/8 x 36	70 11/16 x 36
35 9/16 x 42	53 1/8 x 42	70 11/16 x 42
35 9/16 x 48	53 1/8 x 48	70 11/16 x 48
35 9/16 x 54	53 1/8 x 54	70 11/16 x 54
35 9/16 x 60	53 1/8 x 60	70 11/16 x 60
35 9/16 x 66	53 1/8 x 66	70 11/16 x 66
35 9/16 x 72	53 1/8 x 72	70 11/16 x 72
47 9/16 x 24	71 1/8 x 24	94 11/16 x 24
47 9/16 x 30	71 1/8 x 30	94 11/16 x 30
47 9/16 x 36	71 1/8 x 36	94 11/16 x 36
47 9/16 x 42	71 1/8 x 42	94 11/16 x 42
47 9/16 x 48	71 1/8 x 48	94 11/16 x 48
47 9/16 x 54	71 1/8 x 54	94 11/16 x 54
47 9/16 x 60	71 1/8 x 60	94 11/16 x 60
47 9/16 x 66	71 1/8 x 66	94 11/16 x 66
47 9/16 x 72	71 1/8 x 72	94 11/16 x 72
59 9/16 x 24	89 1/8 x 24	118 11/16 x 24
59 9/16 x 30	89 1/8 x 30	118 11/16 x 30
59 9/16 x 36	89 1/8 x 36	118 11/16 x 36
59 9/16 x 42	89 1/8 x 42	118 11/16 x 42
59 9/16 x 48	89 1/8 x 48	118 11/16 x 48
59 9/16 x 54	89 1/8 x 54	118 11/16 x 54
59 9/16 x 60	89 1/8 x 60	118 11/16 x 60
59 9/16 x 66	89 1/8 x 66	118 11/16 x 66
59 9/16 x 72	89 1/8 x 72	118 11/16 x 72
71 9/16 x 24	107 1/8 x 24	142 11/16 x 24
71 9/16 x 30	107 1/8 x 30	142 11/16 x 30
71 9/16 x 36	107 1/8 x 36	142 11/16 x 36
71 9/16 x 42	107 1/8 x 42	142 11/16 x 42
71 9/16 x 48	107 1/8 x 48	142 11/16 x 48
71 9/16 x 54	107 1/8 x 54	142 11/16 x 54
71 9/16 x 60	107 1/8 x 60	142 11/16 x 60
71 9/16 x 66	107 1/8 x 66	142 11/16 x 66
71 9/16 x 72	107 1/8 x 72	142 11/16 x 72



Unit Rough Opening	Sq. Ft. [cm <sup>2</sup> ] Clear Opening	Clear Opening		Sq. Ft. [cm <sup>2</sup> ] Daylight Opening	Sq. Ft. [cm <sup>2</sup> ] Vent	Floor to Bottom of Clear Opening Height <sup>b</sup> Inches [mm]	Sq. Ft. [cm <sup>2</sup> ] Overall Unit Area
		Width Inches [mm]	Height Inches [mm]				
24 x 18	1.07" [994mm]	18-13/16" [478mm]	8-3/16" [208mm]	1.33" [1236mm]	1.39" [1291mm]	64-5/8" [1641mm]	2.86" [2657mm]
24 x 24	1.85" [1310mm]	18-13/16" [478mm]	14-3/16" [360mm]	2.04" [1895mm]	2.17" [2016mm]	58-5/8" [1489mm]	3.84" [3567mm]
24 x 30	2.64" [2453mm]	18-13/16" [478mm]	20-3/16" [513mm]	2.76" [2564mm]	2.96" [2750mm]	52-5/8" [1337mm]	4.81" [4469mm]
30 x 18	1.41" [1310mm]	24-13/16" [630mm]	8-3/16" [208mm]	1.79" [1663mm]	1.83" [1700mm]	64-5/8" [1641mm]	3.59" [3335mm]
30 x 24	2.45" [2276mm]	24-13/16" [630mm]	14-3/16" [360mm]	2.76" [2564mm]	2.86" [2657mm]	58-5/8" [1489mm]	4.81" [4469mm]
30 x 30	3.48" [3233mm]	24-13/16" [630mm]	20-3/16" [513mm]	3.72" [3456mm]	3.90" [6323mm]	52-5/8" [1337mm]	6.04" [5611mm]
36 x 18	1.75" [1626mm]	30-13/16" [783mm]	8-3/16" [208mm]	2.26" [2100mm]	2.27" [2109mm]	64-5/8" [1641mm]	4.31" [4004mm]
36 x 24	3.04" [2824mm]	30-13/16" [783mm]	14-3/16" [360mm]	3.47" [3224mm]	3.56" [3307mm]	58-5/8" [1489mm]	5.79" [4379mm]
36 x 30	4.32" [4013mm]	30-13/16" [783mm]	20-3/16" [513mm]	4.69" [4357mm]	4.84" [4497mm]	52-5/8" [1337mm]	7.27" [6754mm]
42 x 18	2.10" [1951mm]	36-13/16" [935mm]	8-3/16" [208mm]	2.72" [2527mm]	2.72" [2527mm]	64-5/8" [1641mm]	5.04" [4682mm]
42 x 24	3.63" [3372mm]	36-13/16" [935mm]	14-3/16" [360mm]	4.19" [3893mm]	4.25" [3948mm]	58-5/8" [1489mm]	6.77" [6290mm]
42 x 30	5.16" [4794mm]	36-13/16" [935mm]	20-3/16" [513mm]	5.65" [5249mm]	5.78" [5370mm]	52-5/8" [1337mm]	8.50" [7897mm]
48 x 18	2.44" [2267mm]	42-13/16" [1087mm]	8-3/16" [208mm]	3.19" [2964mm]	3.16" [2936mm]	64-5/8" [1641mm]	5.77" [5361mm]
48 x 24	4.22" [3921mm]	42-13/16" [1087mm]	14-3/16" [360mm]	4.90" [4552mm]	4.94" [4589mm]	58-5/8" [1489mm]	7.75" [7200mm]
48 x 30	6.00" [5574mm]	42-13/16" [1087mm]	20-3/16" [513mm]	6.61" [6141mm]	6.73" [6252mm]	52-5/8" [1337mm]	9.73" [9039mm]

b Floor to bottom of clear opening dimensions are based on 79-3/4" [2026mm] frame height of Visions 2000 hinged and sliding patio doors.

Two Wide Rough Opening	Three Wide Rough Opening
47 9/16 x 18	71 1/8 x 18
47 9/16 x 24	71 1/8 x 24
47 9/16 x 30	71 1/8 x 30
59 9/16 x 18	89 1/8 x 18
59 9/16 x 24	89 1/8 x 24
59 9/16 x 30	89 1/8 x 30
71 9/16 x 18	107 1/8 x 18
71 9/16 x 24	107 1/8 x 24
71 9/16 x 30	107 1/8 x 30
83 9/16 x 18	125 1/8 x 18
83 9/16 x 24	125 1/8 x 24
83 9/16 x 30	125 1/8 x 30
95 9/16 x 18	143 1/8 x 18
95 9/16 x 24	143 1/8 x 24
95 9/16 x 30	143 1/8 x 30



Unit Rough Opening	Square Foot [cm <sup>2</sup> ] Total Unit Daylight Opening
36 x 42	14.48" [13452mm]
36 x 48	16.69" [15506mm]
36 x 54	18.90" [17559mm]
36 x 60	21.11" [19612mm]
36 x 66	23.32" [21665mm]
36 x 72	25.53" [23718mm]
48 x 42	18.21" [16918mm]
48 x 48	20.92" [19435mm]
48 x 54	23.63" [21953mm]
48 x 60	26.34" [24471mm]
48 x 66	29.05" [26998mm]
48 x 72	31.75" [29497mm]
60 x 42	21.94" [20383mm]
60 x 48	25.15" [23365mm]
60 x 54	28.35" [26338mm]
60 x 60	31.56" [29320mm]
60 x 66	34.77" [32302mm]
60 x 72	37.98" [35285mm]
72 x 48	29.37" [27286mm]
72 x 54	33.08" [30732mm]
72 x 60	36.79" [34179mm]
72 x 66	40.50" [37626mm]
72 x 72	44.21" [41072mm]





**Order Glass Only on Pages (28.0, 28.1, 28.2) for Casement and Page (38.0) for Awning.**

To Order Replacement Glass, Specify the Following:

1) Manufacturing Date / Glass Code (See Page 1): \_\_\_\_\_

2) Rough Opening (R.O.) Size (See Pages 10-14):  
Width: \_\_\_\_\_ Height: \_\_\_\_\_

3) Glazing Option (See Page 18):

- 1" Insul
- Triple Insul R6
- Triple Insul R10

4) Spacer Color:

- Silver Anodized
- Bronze Anodized

5) Glass Type:

- Clear
- Low E
- Special Glass: (Obscure, Tempered, Tinted, Etc.) \_\_\_\_\_
- SDL Configuration:

Wide: \_\_\_\_\_ High: \_\_\_\_\_ (Example: Wide: 2 High: 3)

7/8" Bar

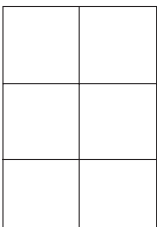
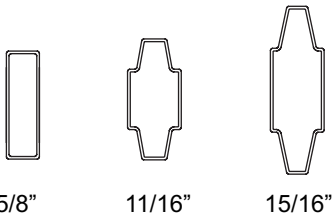
Grille in Airspace and Configuration:

Grille Type:

- 5/8" Rectangular Wide: \_\_\_\_\_ High: \_\_\_\_\_
- 11/16" Sculptured Rectangular Wide: \_\_\_\_\_ High: \_\_\_\_\_
- 15/16" Sculptured Rectangular Wide: \_\_\_\_\_ High: \_\_\_\_\_

Color: (See Examples Below)

- White
- Tan
- Cameo



Gas:

Argon / Krypton / SF6 (Circle Which One Applies)

**NOTE: If ordering glass only, stop here.**



## Casement/Awning Window Sash Replacement Order Form

---

**Order Sash Only on Pages (25.0, 26.0, 27.0, 27.2) for Casement and Page (37.0) for Awning.**

---

6) Exterior/Interior Color:

- White
- Tan
- Cameo

7) Hardware:

- Standard
- Standard Egress
- Seacoast
- Seacoast Egress

8) Hinge Code:

- Left
- Right

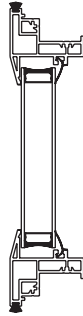
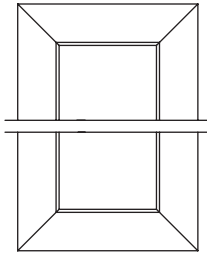
Stationary (replace glass only)



## Casement/Awning Window Sash, Glass, and Glazing Bead

**Specify R.O. width and height when ordering parts listed below. See Page 9-14 for R.O. Measurements.**

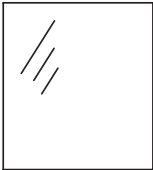
# 2) Sash - Pages (25.0, 26.0, 27.0, 27.2) for Casement and Page (37.0) for Awning.



COLOR	OPTION NUMBER {E 4-02}	CA CONFIGURED NUMBER {S 4-02}	AW CONFIGURED NUMBER {S 4-02}
White	0500	C060300-01-RS1	C060308-01-RS1
Tan	0501		
Cameo	N/A		

**NOTE: Specify Type of Glass i.e. Clear, Low E, Bronze, etc., Left or Right, and Reinforcement Sash.**

# 17) Glass - Pages (28.0, 28.1, 28.2) for Casement and Page (38.0) for Awning

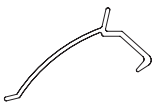


COLOR	OPTION NUMBER (w/Glazing Bead) {E 4-02}	*CA CONFIGURED NUMBER {S 4-02}	*AW CONFIGURED NUMBER {S 4-02}
White	4160	C060300-01-GL1	C060308-01-GL1
Tan	4295		
Cameo	N/A		

**\*Glazing Bead Set is ordered separately.**

**NOTE: Specify Type of Glass i.e. Clear, Low E, Bronze, etc.**

#5) Glazing Bead  
Extrusion #8369-V

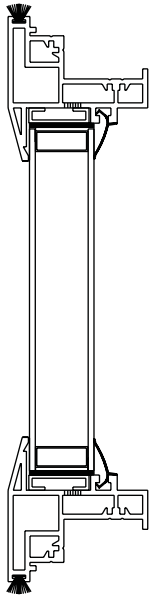


GLAZING BEAD SET	
COLOR	CONFIGURED NUMBER {S 4-02}
White	C06000-GBS
Tan	
Cameo	

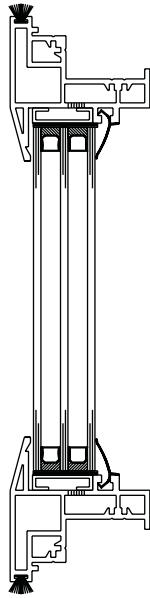
COLOR	OPTION NUMBER {E 4-02}	SPECIFIC LENGTH IN INCHES (194.5) PART NUMBER {E 4-02}	14'6" PIECES (194.0) PART NUMBER	CONFIGURED NUMBER {S 4-02}
White	4160	100011	760723	C760723
Tan	4295	100069	760724	
Cameo	N/A	N/A	762341	



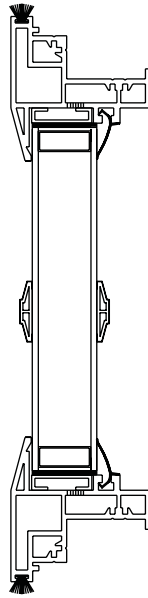
**Drawings Not To Scale**



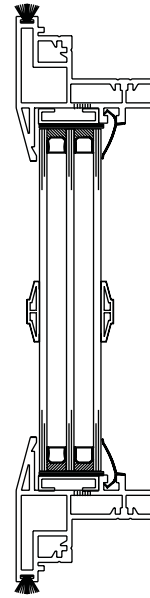
1" Insul



1" Triple Insul



1" Insul  
7/8" SDL

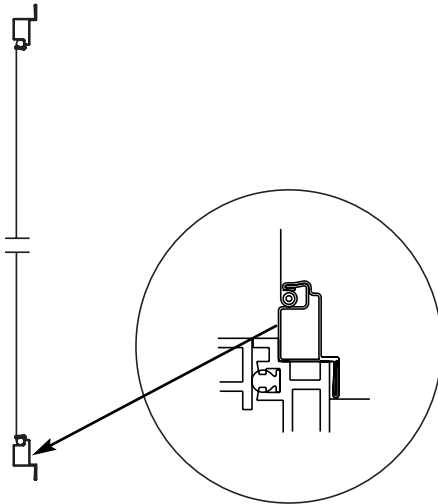


1" Triple Insul  
7/8" SDL

**NOTE: Replacement Parts not available for (TDL) True Divided Lite {8-97}. Must be reordered as a (SDL) Simulated Divided Lite Sash.**

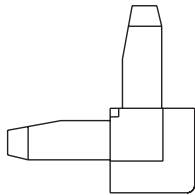


#3) Flange Screen (36.6)



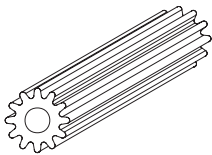
COLOR	OPTION NUMBER {E 4-02}	CA CONFIGURED NUMBER {S 4-02}	AW CONFIGURED NUMBER {S 4-02}
White	558	C060300-01-SCR	C060308-01-SCR
Tan	559		
Cameo	N/A		

7/16" Flanged Screen Corner Key (194.0)



COLOR	PART NUMBER
White	982497
Tan	982498
Cameo	982593

Screen Spline (194.2)  
Extrusion #1018



*PART NUMBER {E 4-02}	*CONFIGURED NUMBER {S 4-02}
740393	C761554

Plunger Spring Assembly (Full/Flanged Screen) (194.0)



PART	PART NUMBER
Spring	979019
Plunger	979017

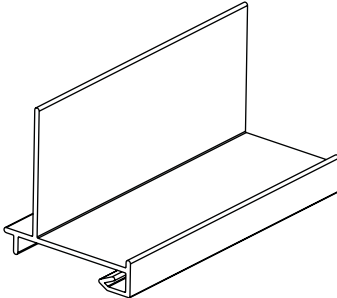
COLOR	COMPLETE ASSEMBLY PART NUMBER	NOB PART NUMBER
White	979557	979018
Tan	981506	981474
Cameo	Use 979557 (White)	Use 979018 (White)

\* Part may be ordered by specifying Rough Opening or Specific Length in Inches.



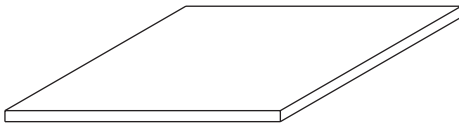
**Specify R.O. width or height when ordering parts listed below.**

Rigid Nailing Fin {S 7-93, E 10-97}  
Extrusion #2329-V



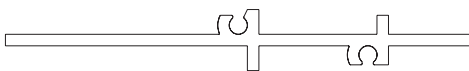
COLOR	SPECIFIC LENGTH IN INCHES (194.5) PART NUMBER {E 4-02}	14'6" PIECES PART NUMBER	*CONFIGURED NUMBER {S 4-02}
White	100020	760494	C760494
Tan	100101	760550	

#21) Aluminum Horizontal Mull Reinforcement Bar  
Extrusion #8603-E



PART	SIZE BY R.O. PART NUMBER {E 4-02}	SPECIFIC LENGTH IN INCHES (194.5) PART NUMBER {E 4-02}	14'8" PIECES PART NUMBER	*CONFIGURED NUMBER {S 4-02}
CA HORIZONTAL & AW VERTICAL (35.0)	300496	783175	967368	C967368
CA VERTICAL & AW HORIZONTAL (35.1)	300505			

Mull Reinforcement Bar Aluminum {E 5-96}  
Extrusion #1558-E



REPLACED BY EXTRUSION #8603

\* Part may be ordered by specifying Rough Opening or Specific Length in Inches.

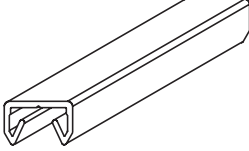


# Casement/Awning Window

## Horizontal/Vertical Replacement Parts (35.0 & 35.1)

**Specify R.O. width or height when ordering parts listed below.**

#22) Small Mull Cover  
Extrusion #2322-V



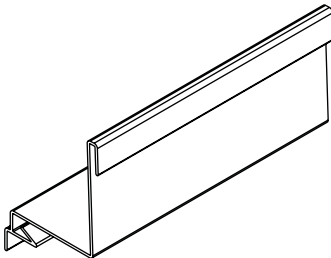
CA HORIZONTAL & AW VERTICAL (35.0)	
COLOR	SIZE BY R.O. PART NUMBER {E 4-02}
White	300365
Tan	300367

CA VERTICAL & AW HORIZONTAL (35.1)	
COLOR	SIZE BY R.O. PART NUMBER {E 4-02}
White	300014
Tan	300082

**NOTE: 2 required per mull.**

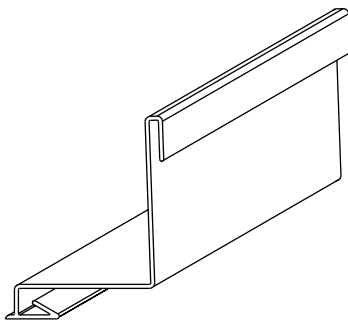
COLOR	CUT TO LENGTH (194.1) PART NUMBER {E 4-02}	SPECIFIC LENGTH IN INCHES (194.5) PART NUMBER {E 4-02}	14'6" PIECES PART NUMBER	*CONFIGURED NUMBER {S 4-02}
White	741389	100341	760481	C760481
Tan	741390	100342	760544	
Cameo	N/A	N/A	762372	

5" Head Mull Cover - Drip Cap  
Extrusion #4012-V



COLOR	PART NUMBER (194.0) (36.0)	14'6" PIECES PART NUMBER	*CONFIGURED NUMBER {S 4-02}
White	760848	760886	C760886
Tan	760863	760887	
Cameo	762321	762308	

A-Bay Bow Drip Cap No Lip for Sill  
Extrusion #4012-V



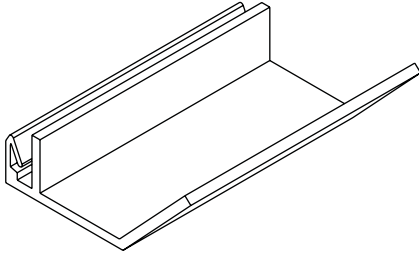
COLOR	14'6" PIECES PART NUMBER	*CONFIGURED NUMBER {S 4-02}
White	762342	C762342
Tan	762343	
Cameo	762344	

**\* Part may be ordered by specifying Rough Opening or Specific Length in Inches.**



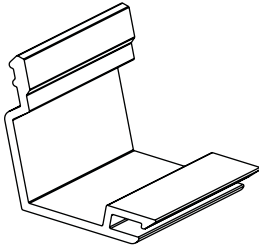
**Specify R.O. width when ordering parts listed below.**

#30) Garden Bay Vinyl Bottom Drip Cap  
Extrusion #2044



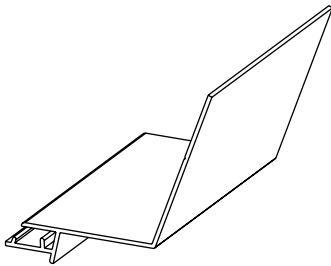
COLOR	CUT TO LENGTH (194.1) PART NUMBER {E 4-02}	14'6" PIECES PART NUMBER	*CONFIGURED NUMBER {S 4-02}
White	741751	762418	C975227
Tan	741752	762419	
Cameo	N/A	762420	

#29) Garden Bay Vinyl Ridge Cap  
Extrusion #2118



COLOR	CUT TO LENGTH (194.1) PART NUMBER {E 4-02}	14'6" PIECES PART NUMBER	*CONFIGURED NUMBER {S 4-02}
White	741753	760585	C760585
Tan	741754	760588	
Cameo	N/A	762394	

#31) Garden Bay Aluminum Top Flashing  
Extrusion #2568



COLOR	CUT TO LENGTH (194.1) PART NUMBER {E 4-02}	14'6" PIECES PART NUMBER	*CONFIGURED NUMBER {S 4-02}
White	741755	969876	C969876
Tan	741756	969877	
Cameo	N/A	N/A	

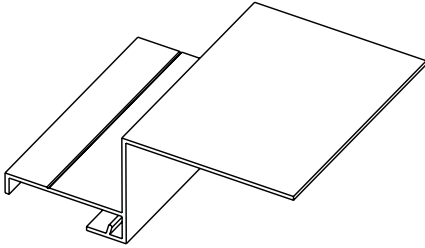
\* Part may be ordered by specifying Rough Opening or Specific Length in Inches.





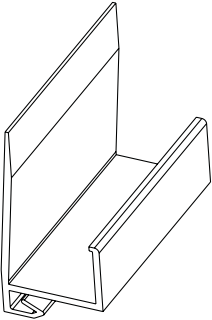
**Specify R.O. height when ordering parts listed below.**

#34) Garden Bay Aluminum Nailing Fin  
Extrusion #2570



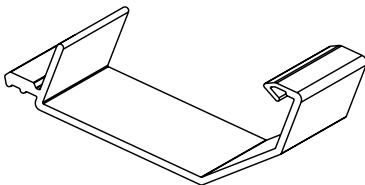
COLOR	CUT TO LENGTH (194.1) PART NUMBER {E 4-02}	14'6" PIECES PART NUMBER	*CONFIGURED NUMBER {S 4-02}
White	741757	969879	C969879
Tan	741758	969880	
Cameo	N/A	N/A	

#33) Garden Bay Drywall Return  
Extrusion #SW373



COLOR	PART NUMBER	*CONFIGURED NUMBER {S 4-02}
White (16'0")	975173	C975173
Tan (14'0")	975174	
Cameo	N/A	

#36) Garden Bay Jamb Cover  
Extrusion #2034



COLOR	14'6" PIECES PART NUMBER	*CONFIGURED NUMBER {S 4-02}
White	762263	C762263
Tan	762264	
Cameo	762392	

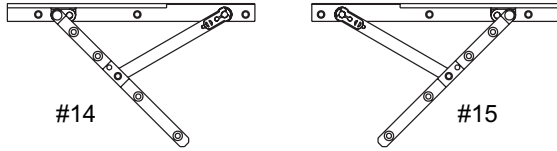
\* Part may be ordered by specifying Rough Opening or Specific Length in Inches.



## Casement/Awning Window Miscellaneous Replacement Parts (36.0)

**When ordering parts, view the unit from the Exterior.**

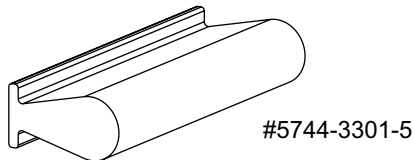
- #14) Hinge Arm & Track 10" (L - Op - Btm / R - Op - Top)  
#15) Hinge Arm & Track 10" (L - Op - Top / R - Op - Btm)



FINISH	#14 PART NUMBER	#15 PART NUMBER	PAIR PART NUMBER
Standard	972001	972002	312939
Egress	972057	972058	312938
Stainless Steel	972144	972145	312959
Stainless Steel Egress	972424	972425	319678

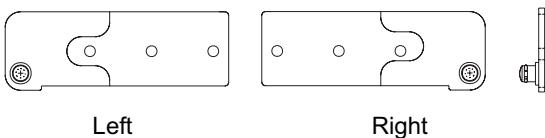
ADJUSTABLE HINGE			
FINISH	RIGHT PART NUMBER	LEFT PART NUMBER	PAIR PART NUMBER
Standard	972923	972922	320323
Stainless Steel	972661	972660	323645

- #37) Frame Bulb Weather Strip Q-Lon {S 10-97}



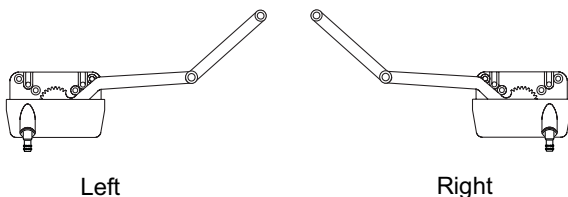
22' PIECES PART NUMBER {E 4-02}	SPECIFIC LENGTH IN INCHES (194.5) PART NUMBER {E 4-02}	*CONFIGURED NUMBER {S 4-02}
300495	300416	C981984

- #13) Sash Bracket {S 2-97}



FINISH	LEFT PART NUMBER	RIGHT PART NUMBER
Standard	940197	940198
Seacoast	940237	940238

- #11) Split Arm Operator



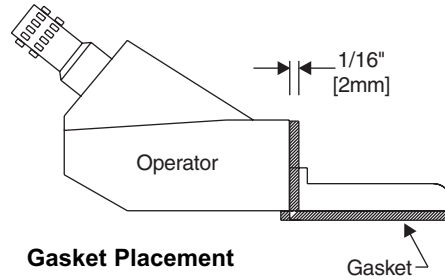
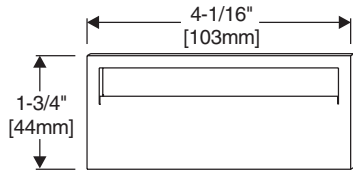
COLOR	TYPE	STANDARD PART NUMBER	SEACOAST PART NUMBER
White	Left	972959	972976
White	Right	972960	972977
Tan	Left	972610	940009
Tan	Right	972611	940010
Cameo	Left	941331	941333
Cameo	Right	941332	941334

\* Part may be ordered by specifying Rough Opening or Specific Length in Inches.



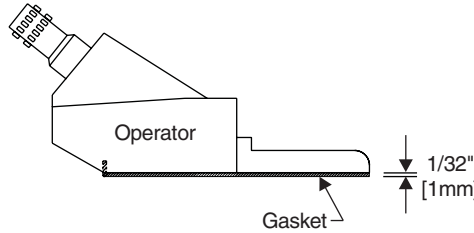
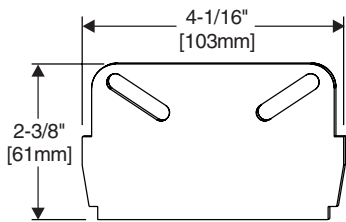
**When ordering parts, view the unit from the Exterior.**

**Casement Operator Gasket {S 2-97}**



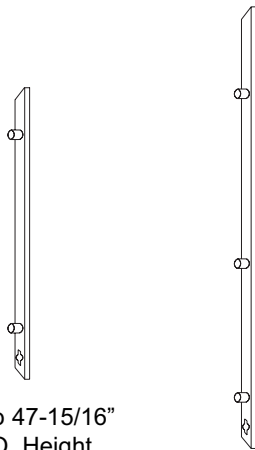
COLOR	PART NUMBER
White	981893
Tan	981894
Cameo	Use 981893 (White)

**Awning Operator Gasket {S 2-97}**



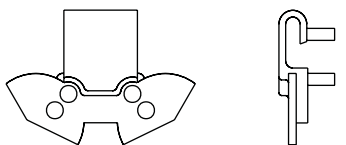
COLOR	PART NUMBER
White	981471
Tan	981472
Cameo	Use 981471 (White)

**#8) Multi-Point Lock Tie Bar**



R.O. HEIGHT	STANDARD PART NUMBER	SEACOAST PART NUMBER
24" – 30"	972412	972775
30 1/16" – 47 15/16"	972434	972776
48" – 53 15/16"	972416	972777
54" – 59 15/16"	972436	972778
60" – 71 15/16"	972418	972779
72"	972491	972887

**#9) Multi-Point Lock Tie Bar Guide**

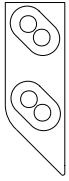


PART NUMBER
972409



**When ordering parts, view the unit from the Exterior.**

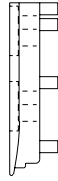
#10) Multi-Point Lock Keeper



**Left**

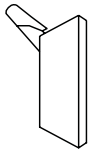


**Right**

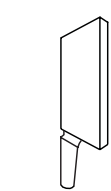


TYPE	PART NUMBER
Left	972410
Right	972411

#6) Multi-Point Sash Lock

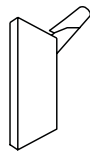


Open



Closed

**Left**



Open



Closed

**Right**

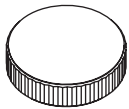
COLOR	TYPE	STANDARD PART NUMBER	SEACOAST PART NUMBER
White	Left	972985	972987
White	Right	972986	972988
Tan	Left	972616	972628
Tan	Right	972617	972629
Cameo	Left	941327	941329
Cameo	Right	941328	941330

Multi-Point Lock Mounting Plate w/Screws



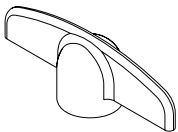
STANDARD PART NUMBER	SEACOAST PART NUMBER
972408	972774

Round Handle



COLOR	PART NUMBER
White	940044
Tan	972730
Cameo	941345

"T" Handle

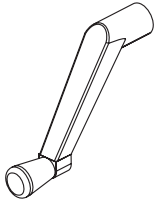


COLOR	PART NUMBER
White	972991
Tan	972716
Cameo	941346



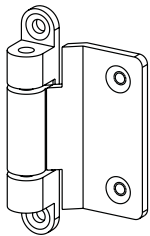
**When ordering parts, view the unit from the Exterior.**

#12) Crank Handle



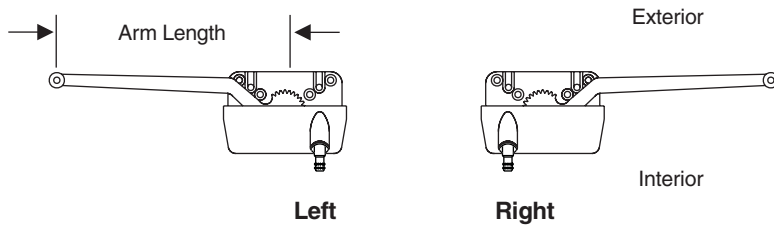
COLOR	PART NUMBER
White	972989
Tan	972618
Cameo	941343

#39) Eyebrow/Garden Bay Hinge



COLOR	PART NUMBER
White	972546
Tan	972547
Cameo	941347

Single Arm Operator

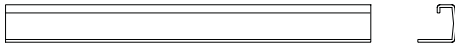


USAGE	STANDARD	
	Left	Right
White Garden Bay 7-1/2"	972980	972981
Tan Garden Bay 7-1/2"	972639	972640
Cameo Garden Bay 7-1/2"	941335	941336
White Eyebrow 9-1/2" (18" – 23 15/16" R.O. Width)	972984	972983
Tan Eyebrow 9-1/2" (18" – 23 15/16" R.O. Width)	972612	972613
Cameo Eyebrow 9-1/2" (18" – 23 15/16" R.O. Width)	941337	941338
White Eyebrow 13-1/2" (24" – 30" R.O. Width)	972978	972979
Tan Eyebrow 13-1/2" (24" – 30" R.O. Width)	972614	972615
Cameo Eyebrow 13-1/2" (24" – 30" R.O. Width)	941339	941340



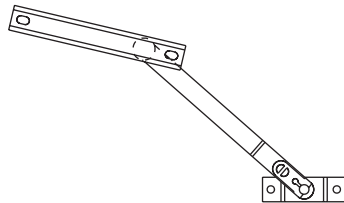
**When ordering parts, view the unit from the Exterior.**

Single Arm Operator Sash Slide (Eyebrow/Garden Bay)



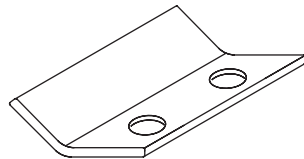
TYPE	PART NUMBER
Standard	972045
Seacoast	972920

Limiting Device w/Screws



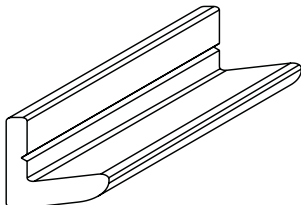
TYPE	PART NUMBER
Standard	972167
Seacoast	972252

#20) Concealed Sash Snubber/Aligner  
Extrusion #2334-V



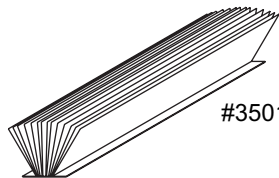
COLOR	PART NUMBER
White	300396
Tan	300397
Cameo	Use 300396 (White)

Structural Sash Snubber  
Extrusion #2037



COLOR	PART NUMBER
White	762449
Tan	762450
Cameo	762451

#16) Pile Weather Strip w/Center Fin {S 9-98}

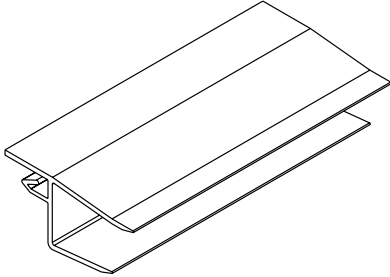


#35018758WHWF

22' PIECES PART NUMBER {E 4-02}	CUT TO LENGTH (194.1) PART NUMBER {E 4-02}	SPECIFIC LENGTH IN INCHES (194.5) PART NUMBER {E 4-02}	*CONFIGURED NUMBER {S 4-02}
300494	741418	107020	C981520

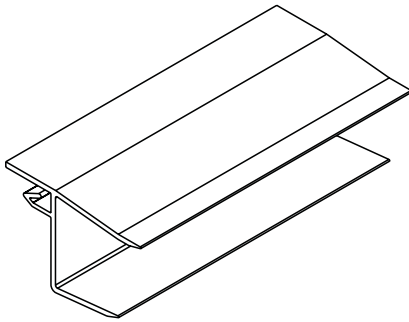


1/2" - 5/8" Jamb Extension/Drywall Return  
Extrusion #2327-V



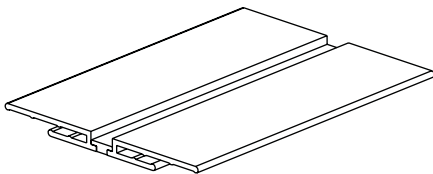
COLOR	SPECIFIC LENGTH IN INCHES (194.5) PART NUMBER {E 4-02}	14'6" PIECES PART NUMBER	*CONFIGURED NUMBER {S 4-02}
White	100356	760485	C760485
Tan	100357	760538	
Cameo	N/A	762306	

3/4" - 7/8" Jamb Extension/Drywall Return  
Extrusion #2330-V



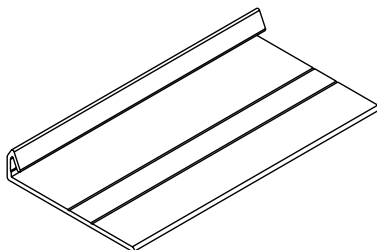
COLOR	SPECIFIC LENGTH IN INCHES (194.5) PART NUMBER {E 4-02}	14'6" PIECES PART NUMBER	*CONFIGURED NUMBER {S 4-02}
White	100358	760642	C760642
Tan	100359	760643	
Cameo	N/A	762307	

Mull Cover Cap {E 10-98}  
Extrusion #1016



COLOR	SPECIFIC LENGTH IN INCHES (194.5) PART NUMBER {E 4-02}	14'6" PIECES PART NUMBER	*CONFIGURED NUMBER {S 4-02}
White	100360	760493	C760493
Tan	100361	760582	

1-1/2" Universal Mull Cover {E 10-98}  
Extrusion #2325

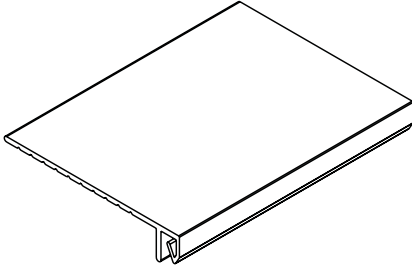


COLOR	SPECIFIC LENGTH IN INCHES (194.5) PART NUMBER {E 4-02}	14'6" PIECES PART NUMBER	*CONFIGURED NUMBER {S 4-02}
White	100362	760491	C760491
Tan	100363	760547	
Cameo	N/A	762399	

\* Part may be ordered by specifying Rough Opening or Specific Length in Inches.

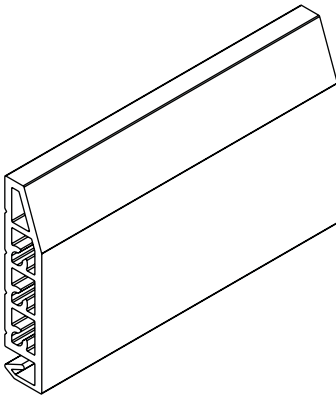


Sill Extender (All Products)  
Extrusion #1041-V



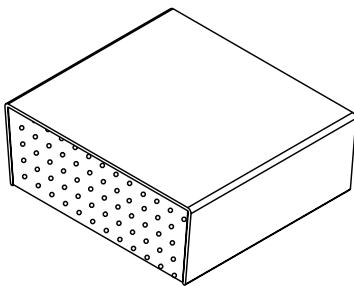
COLOR	SPECIFIC LENGTH IN INCHES (194.5) PART NUMBER {E 4-02}	14'6" PIECES PART NUMBER	*CONFIGURED NUMBER {S 4-02}
White	100364	760672	C760672
Tan	100365	760673	
Cameo	N/A	762346	

Retro Z-Casing (All Products)  
Extrusion #1044-V



COLOR	SPECIFIC LENGTH IN INCHES (194.5) PART NUMBER {E 4-02}	14'6" PIECES PART NUMBER	*CONFIGURED NUMBER {S 4-02}
White	100366	760702	C760702
Tan	100367	760703	
Cameo	N/A	762347	

Head Expander - Wood Replacement w/Foam Filler  
Extrusion #2136-V



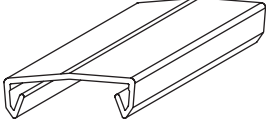
COLOR	SPECIFIC LENGTH IN INCHES (194.5) PART NUMBER {E 4-02}	14'6" PIECES PART NUMBER	*CONFIGURED NUMBER {S 4-02}
White	300349	106138	C760759
Tan	300350	106139	
Cameo	N/A	106140	

\* Part may be ordered by specifying Rough Opening or Specific Length in Inches.



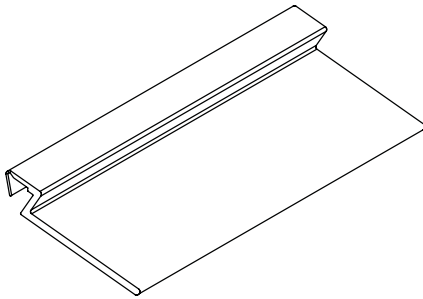


#23) 9° Bow Mull Cover  
Extrusion #2323



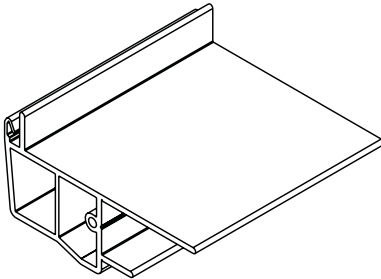
COLOR	SPECIFIC LENGTH IN INCHES (194.5) PART NUMBER {E 4-02}	14'6" PIECES PART NUMBER	*CONFIGURED NUMBER {S 4-02}
White	300351	760492	C760492
Tan	300352	760548	
Cameo	N/A	762398	

Jamb Extension Clip  
Extrusion #1089-V



69" PIECE (194.0) PART NUMBER	14'6" PIECES PART NUMBER	*CONFIGURED NUMBER {S 4-02}
761908	761907	C761907

Vinyl Brick Mould  
Extrusion #1084

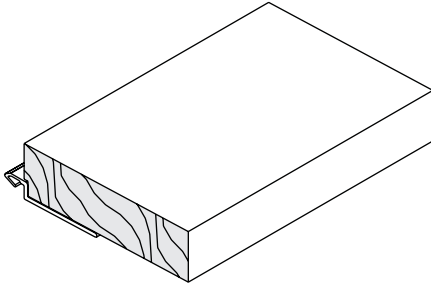


COLOR	SPECIFIC LENGTH IN INCHES (194.5) PART NUMBER {E 4-02}	14'6" PIECE PART NUMBER	*CONFIGURED NUMBER {S 4-02}
White	761434	761113	C761113
Tan	761435	761114	
Cameo	N/A	762384	

\* Part may be ordered by specifying Rough Opening or Specific Length in Inches.

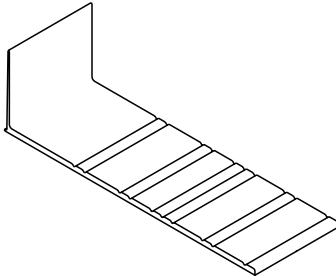


Pine Jamb Extension w/Clip (194.2)

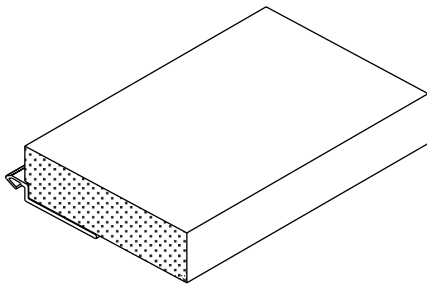


*4-9/16" JAMB PART NUMBER	*6-9/16" JAMB PART NUMBER	*CONFIGURED NUMBER {S 4-02}
731231	731232	C1027158

Vinyl Drywall Jamb Extension  
Extrusion #1065



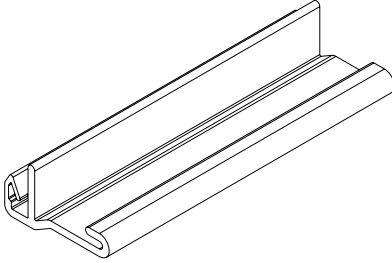
Cellular PVC Jamb Extension



\* Part may be ordered by specifying Rough Opening or Specific Length in Inches.

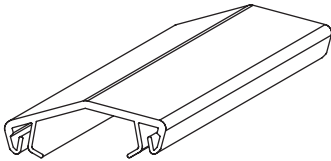


J-Channel without Nail Fin  
Extrusion #1060



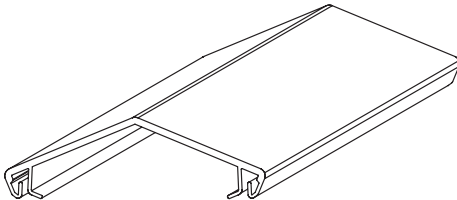
COLOR	CUT TO LENGTH (194.1) PART NUMBER {E 4-02}	SPECIFIC LENGTH IN INCHES (194.5) PART NUMBER {E 4-02}	14'6" PIECES PART NUMBER	*CONFIGURED NUMBER {S 4-02}
White	741620	100404	760931	C760931
Tan	741621	100405	760932	
Cameo	N/A	N/A	762348	

#25) 30° A-Bay Exterior Mull Cover  
Extrusion #1082



COLOR	72" PIECES PART NUMBER	14'6" PIECES PART NUMBER	*CONFIGURED NUMBER {S 4-02}
White	761648	761884	C761884
Tan	761649	761885	
Cameo	762381	762380	

#26) 45° A-Bay Exterior Mull Cover  
Extrusion #1083

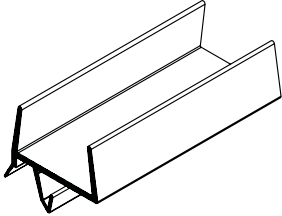


COLOR	72" PIECES PART NUMBER	14'6" PIECES PART NUMBER	*CONFIGURED NUMBER {S 4-02}
White	761578	761886	C761886
Tan	761579	761887	
Cameo	762383	762382	

\* Part may be ordered by specifying Rough Opening or Specific Length in Inches.

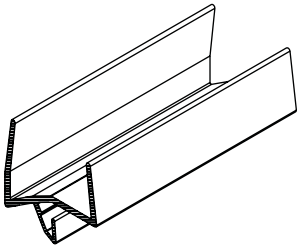


Wide Bow Jamb Return  
Extrusion #1048



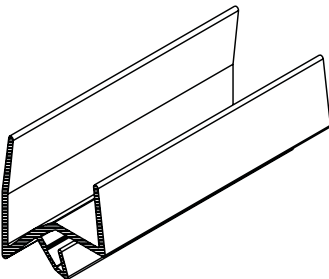
COLOR	72" PIECES PART NUMBER	14'6" PIECES PART NUMBER	*CONFIGURED NUMBER {S 4-02}
White	761713	761890	C761890
Tan	761714	761891	
Cameo	762375	762374	

30° A-Bay Interior Jamb Return  
Extrusion #1080



COLOR	72" PIECES PART NUMBER	14'6" PIECES PART NUMBER	*CONFIGURED NUMBER {S 4-02}
White	761693	761892	C761892
Tan	761649	761893	
Cameo	762379	762378	

45° A-Bay Interior Jamb Return  
Extrusion #1079

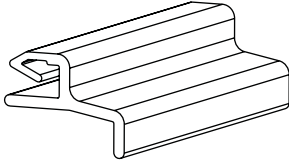


COLOR	72" PIECES PART NUMBER	14'6" PIECES PART NUMBER	*CONFIGURED NUMBER {S 4-02}
White	761644	761882	C761882
Tan	761645	761883	
Cameo	762377	762376	

\* Part may be ordered by specifying Rough Opening or Specific Length in Inches.

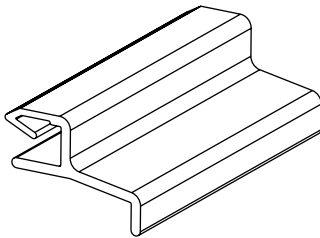


11/16" Stucco Adapter  
Extrusion #1063-V



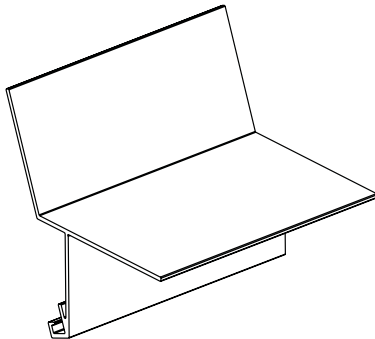
COLOR	14'6" PIECES PART NUMBER	*CONFIGURED NUMBER {S 4-02}
White	761795	C761795
Tan	761796	
Cameo	762350	

7/8" Stucco Adapter  
Extrusion #1064-V



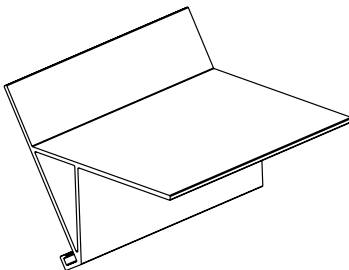
COLOR	14'6" PIECES PART NUMBER	*CONFIGURED NUMBER {S 4-02}
White	761797	C761797
Tan	761798	
Cameo	762351	

#24) Bow Aluminum Side Adapter  
Extrusion #1581



COLOR	CUT TO LENGTH (194.1) PART NUMBER {E 4-02}	186" PIECES PART NUMBER	*CONFIGURED NUMBER {S 4-02}
White	741409	967080	C967080
Tan	741410	967081	
Cameo	N/A	968968	

#27) 30° A-Bay Adapter  
Extrusion #1585

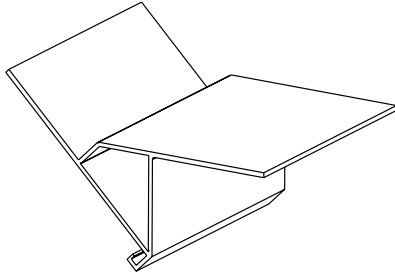


COLOR	CUT TO LENGTH (194.1) PART NUMBER {E 4-02}	186" PIECES PART NUMBER	*CONFIGURED NUMBER {S 4-02}
White	741396	967087	C967087
Tan	741397	967088	
Cameo	N/A	968969	

\* Part may be ordered by specifying Rough Opening or Specific Length in Inches.

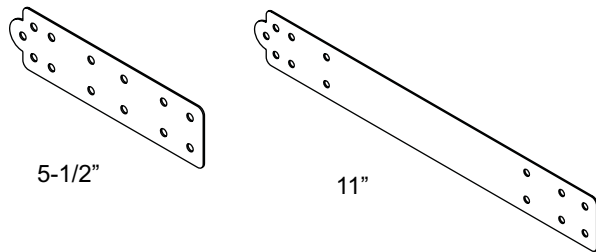


#28) 45° A-Bay Adapter  
Extrusion #1508



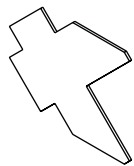
COLOR	CUT TO LENGTH (194.1) PART NUMBER {E 4-02}	186" PIECES PART NUMBER	*CONFIGURED NUMBER {S 4-02}
White	741402	967078	C967078
Tan	741403	967079	
Cameo	N/A	968945	

Installation Clips (194.0)



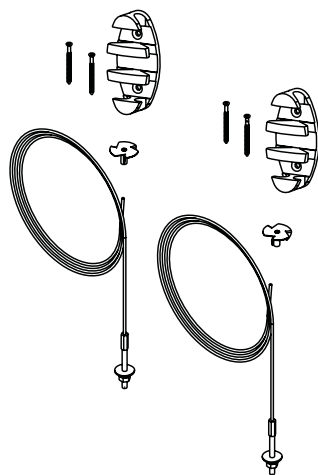
SIZE	PART NUMBER
5-1/2"	979193
11"	982042

Corner Gusset



PART NUMBER (194.0)
980577

#32) Cable Support Kit



- Kit Includes:
- 2 - Adjustable Cable Tightening Cleats
  - 2 - Support Cables (approx. 9' length)
  - 2 - Cable Brushings (T-Nuts)
  - 2 - 1/4" Washers
  - 4 - 1/4" Nuts
  - 4 - 2-1/2" Wood Screws

PART NUMBER
972728

\* Part may be ordered by specifying Rough Opening or Specific Length in Inches.